

# Data Sheet: DHCE



- › DHCE 6/50
- › DHCE 8/50
- › DHCE 8/60



- › Ideal for low flow applications with a switch-on flow rate of only 1.5 L/min
- › Three selectable temperatures for greater convenience
- › For use at one or several draw off points
- › Compact design for flexible installation
- › 50°C units available - specifically designed in accordance with AS3498 to overcome the need for an external temperature valve
- › No safe tray, flue or ventilation required



# DHCE

## SINGLE PHASE FLEXIBILITY

The electronically controlled DHCE single phase instantaneous water heaters from STIEBEL ELTRON. These single phase instant hot water systems are ideal for low flow installations as the water heater has a switch on flow rate at only 1.5 litres per minute. With installation flexibility in mind, the DHCE hot water system is compact in design and ideal for those applications where space is tight.

		PLUS		
Model		DHCE 6/50	DHCE 8/50	DHCE 8/60
		<b>233639</b>	<b>233640</b>	<b>233948</b>
Rated output (240 V)	kW	7.1	9.5	9.5
Rated current (240 V)	A	29.6	39.6	39.6
Connection		1/N/PE/AC	1/N/PE/AC	1/N/PE/AC
Fuse protection	A	32	40	40
Electrical installation		As per AS/NZS3000		
Installation requirements		AS/NZS3500.4.2 & local requirements		
Switch on flow rate	L/min	1.5	1.5	1.5
Max. temperature	°C	50	50	60
Water connection		G 1/2	G 1/2	G 1/2
Max. permissible pressure	kPa	1000	1000	1000
Max. inlet temperature for reheating	°C	55	55	55
IP rating		IP25	IP25	IP25
Height	mm	360	360	360
Width	mm	200	200	200
Depth	mm	110	110	110
Weight (when filled)	kg	2.45	2.45	2.45
Colour		Silver	Silver	White
Approvals		WaterMark Lic No. WMKA00301. AS3498		

Temperature Rise (240 V)	DHCE 6/50	DHCE 8/50	DHCE 8/60
4 L/min	+25°C	+33°C	+33°C
5 L/min	+20°C	+27°C	+27°C
6 L/min	+16°C	+22°C	+22°C
7 L/min	+14°C	+19°C	+19°C
9 L/min	+11°C	+15°C	+15°C

### Calculating Output Water Temperature

Add the above temperature rise values to your incoming cold water temperature to calculate output at a desired flow rate.

### Seasonal Average Cold Water Temperatures

Melbourne: 15°C  
 Sydney/Brisbane/Perth/Adelaide: 18°C  
 Canberra/Hobart: 14°C  
 Townsville/Darwin: 25°C

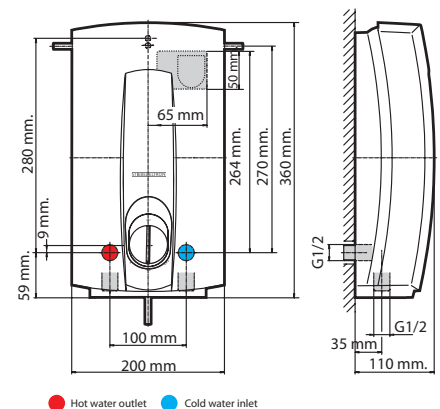
The DHCE 6/50 and 8/50 electric instantaneous single phase water heaters deliver hot water not exceeding 50°C in accordance with AS3498. Refer to AS/NZS3500.4, local requirements and installation instructions to determine if additional delivery temperature control is required.



DHCE 6/50 & DHCE 8/50



DHCE 8/60



● Hot water outlet ● Cold water inlet

**Dimensions and Connections**  
 In-wall or bottom entry connection available.

STIEBEL ELTRON is committed to our policy of continual improvement, some features may have subsequently been changed or even removed.

Our advisors will be happy to consult with you regarding the currently applicable equipment features. The images used in this data sheet are for reference only.